

PALFINGER

PCC57.002 | PCC71.002 | PCC115.002

GAME CHANGER IN COMPACT LIFTING

LIFETIME EXCELLENCE



COMPACT CRANES LIMITED SPACE & COMPLEX LIFTS

- Urban – sites in congested city centers
- Indoor – industry and maintenance
- Outdoor – off-road and infrastructure

The PALFINGER Compact Crane is a multi-talent for a huge range of applications. The innovative concept raises the bar in smooth off-road travel and trouble-free work in confined spaces.

Low height clearance, overstretching boom and jib, and top lifting capacity make the PCC second to none – for inner cities, shopping centers, railway stations, industrial plants, and sites where no other machine can go.

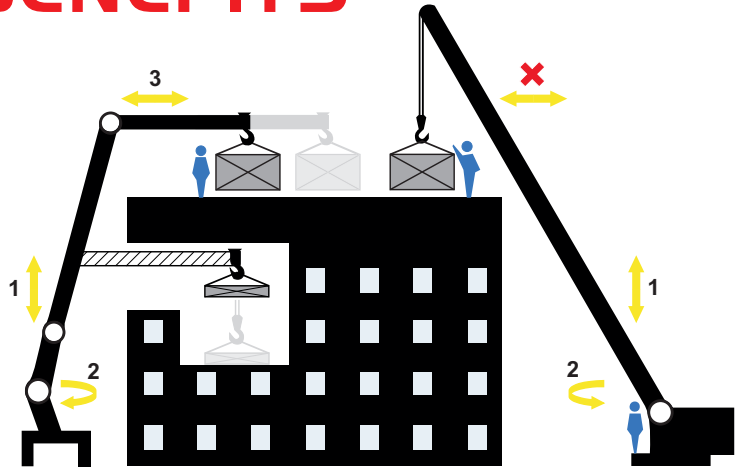


- Supreme traction off-road
- Lowest height clearance and narrow passages
- Rigging and full stability in the smallest spaces



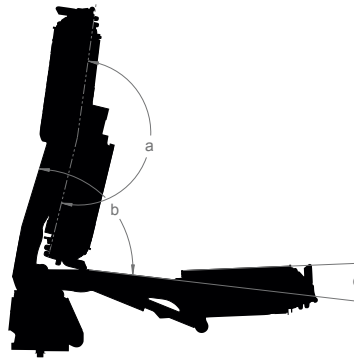


KNUCKLE BOOM BENEFITS



The PALFINGER knuckle boom allows the load to be positioned or lifted over a roof and inside a building with the full-powered boom, jib or optional winch. The PALcom P7 remote enables easy operation while keeping the load constantly in view for maximum safety and efficiency. In most cases no signalman is needed.

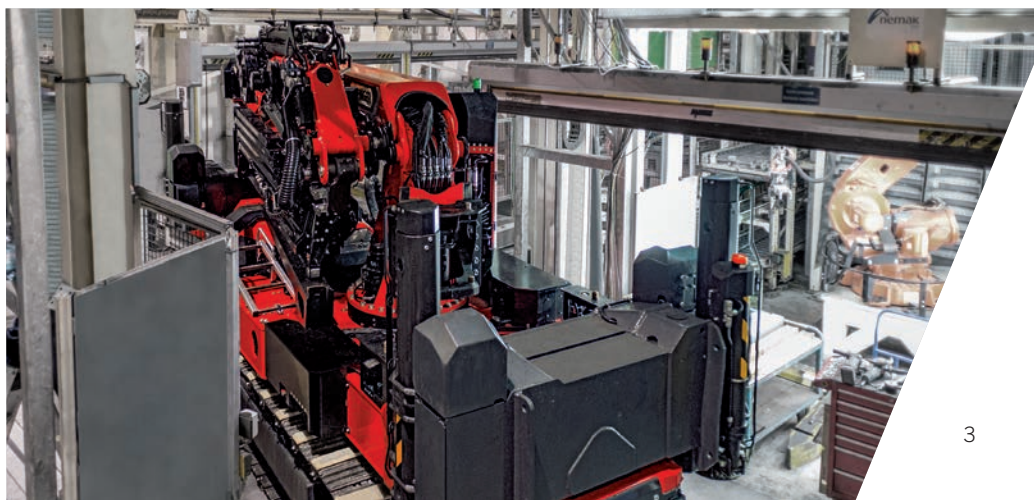
- Overstretching boom 14° and jib 25° to access difficult spaces (9° and 25° for PCC115.002)



Working range knuckle boom

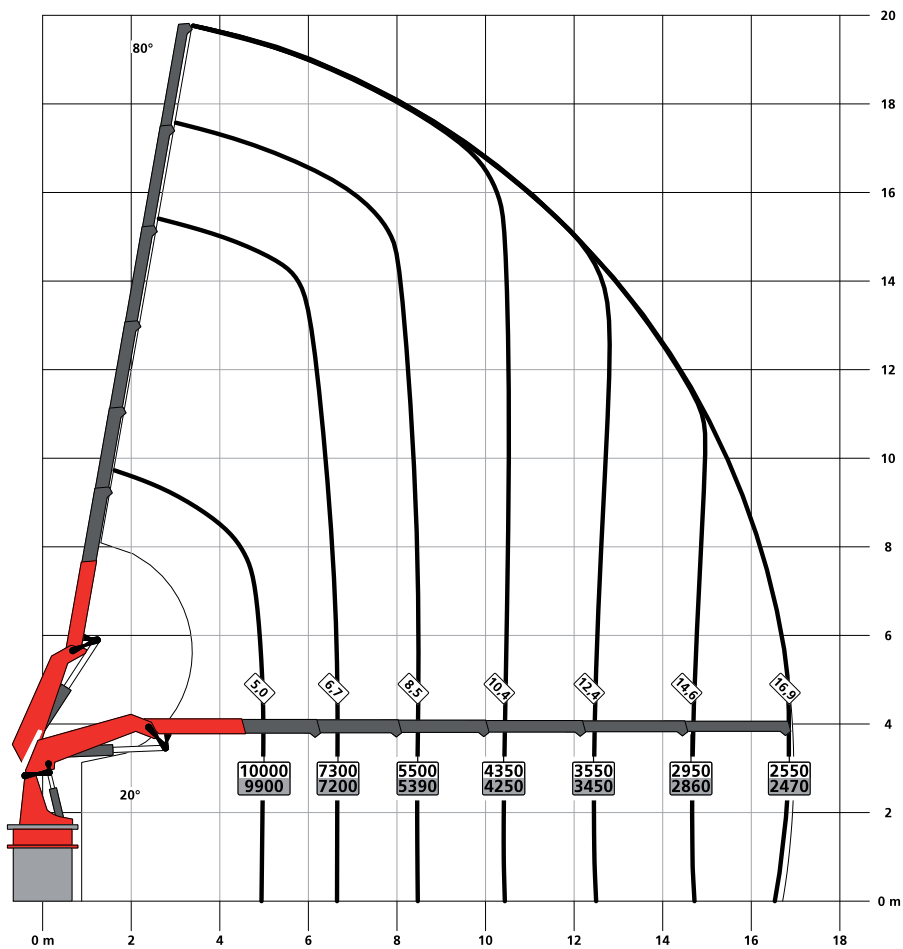


Working range jib



LOAD CHARTS

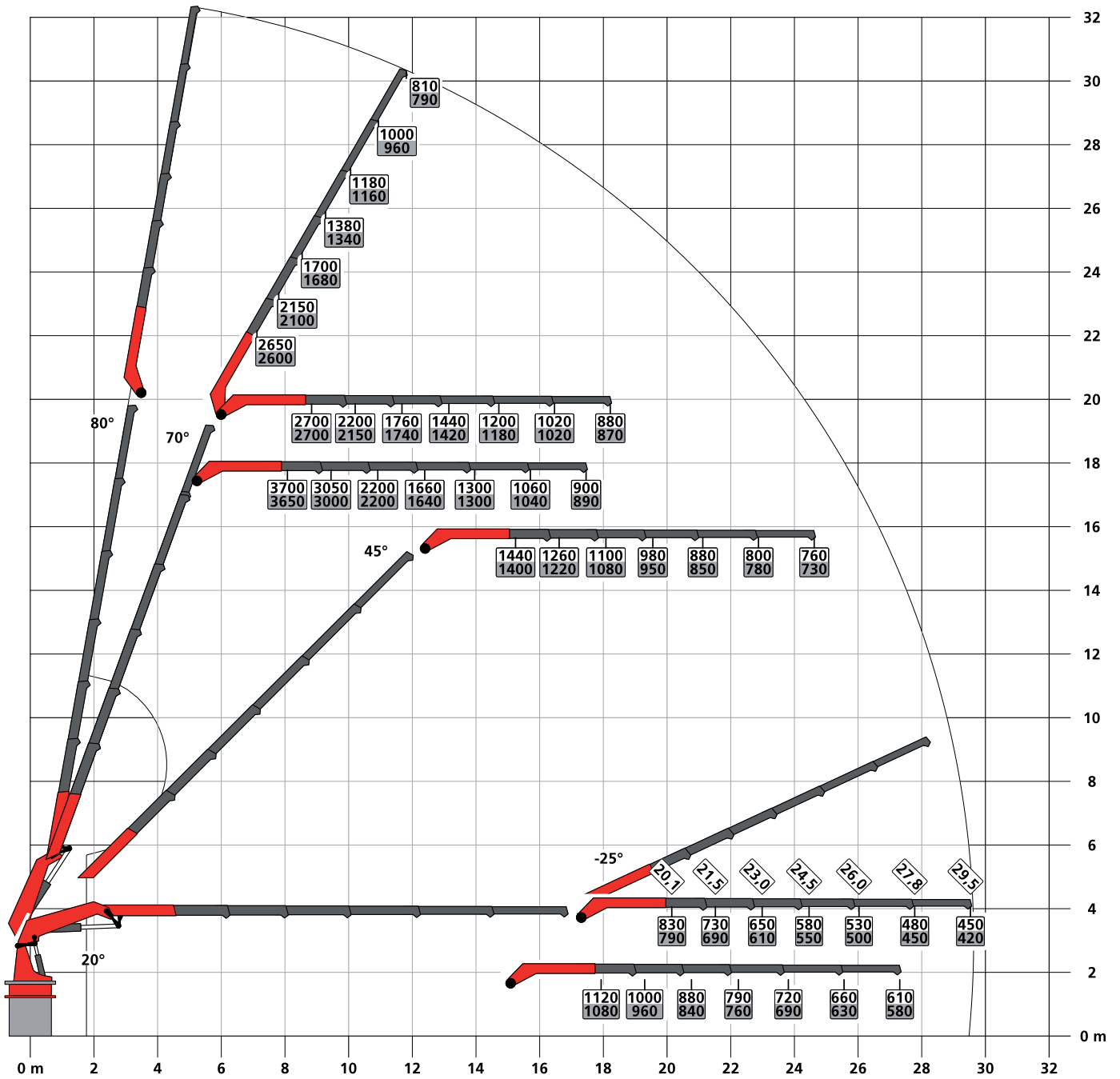
E



- Machine Category HC1 HD5/S1 EN12999 – CE
- Various boom and jib configurations available upon request
- 360 degrees stability continuously monitored and protected
- Pick&Carry possible within limited working range and reduced duties

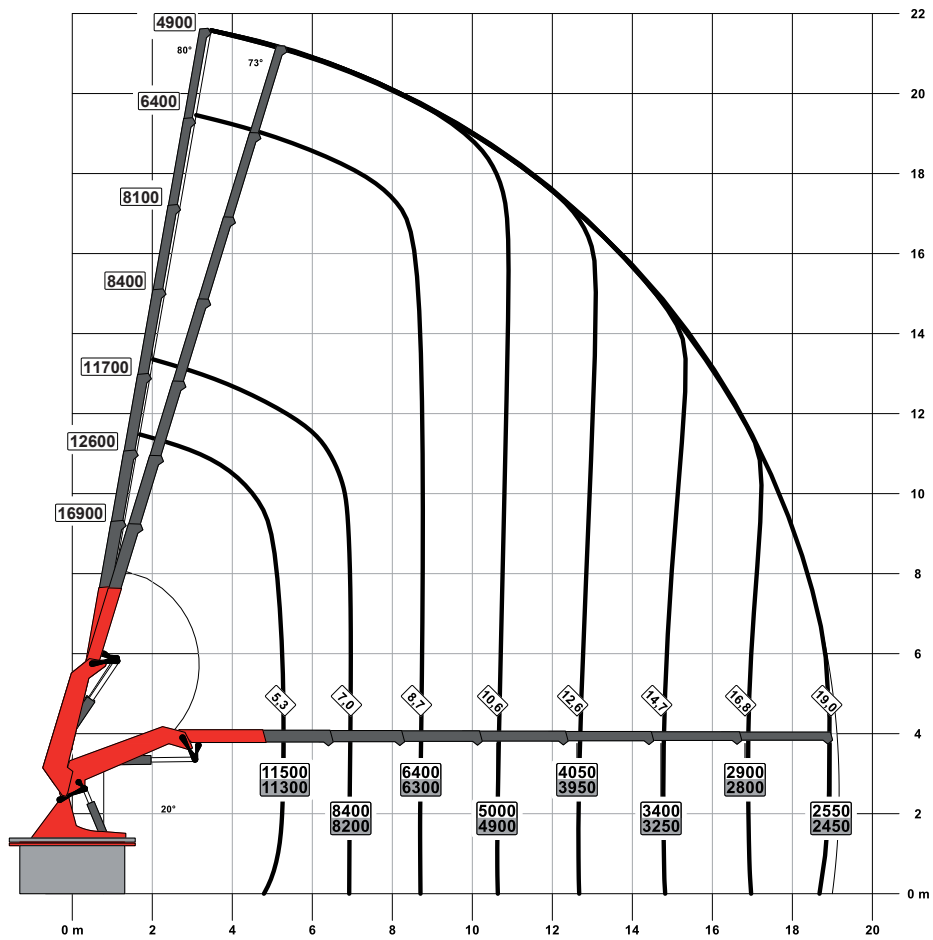
PCC57.002

E PCJ125 E DPS-C



LOAD CHARTS

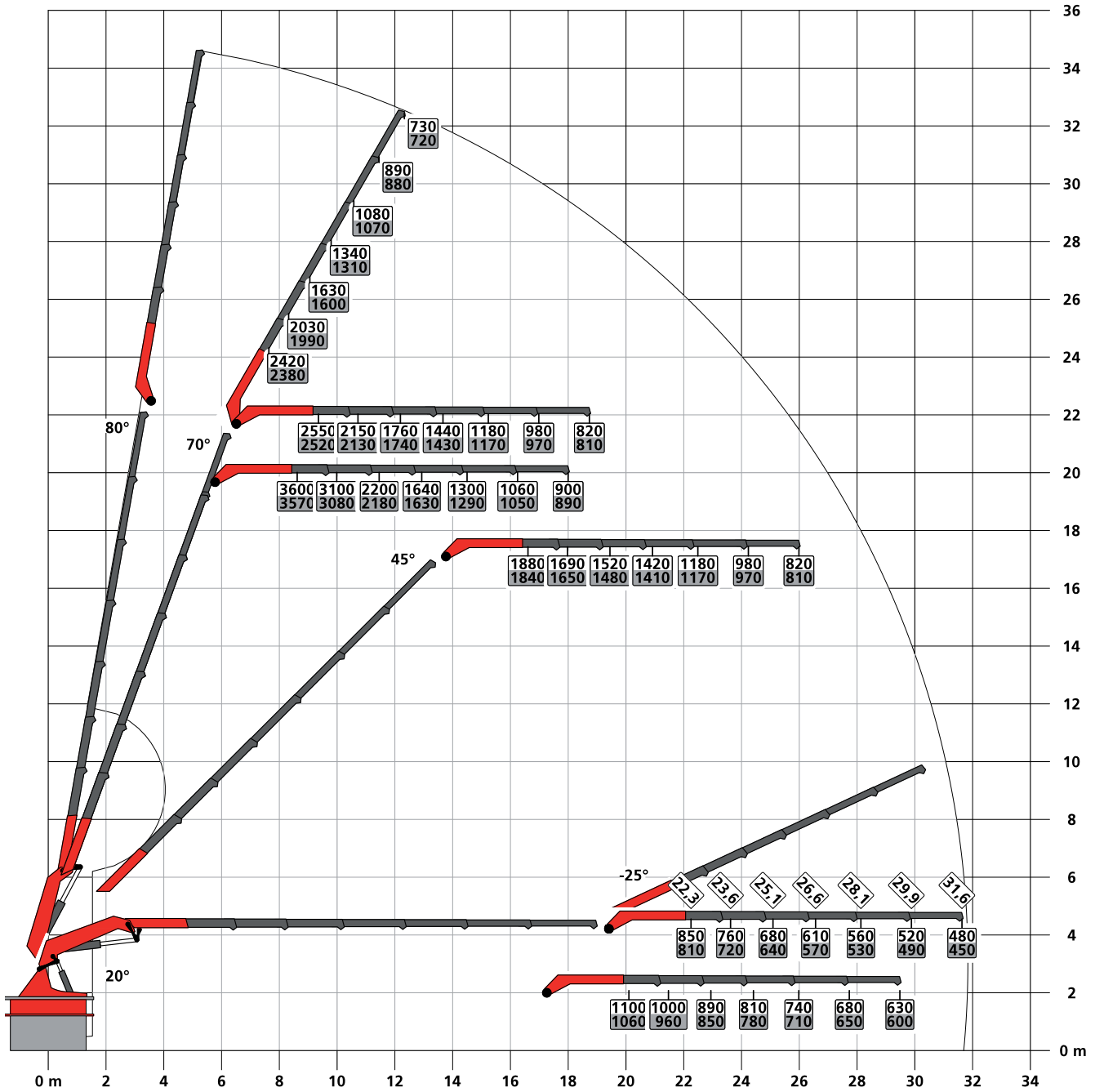
F



- Machine Category HC1 HD5/S1 EN12999 – CE
- Various boom and jib configurations available upon request
- 360 degrees stability continuously monitored and protected
- Pick&Carry possible within limited working range and reduced duties

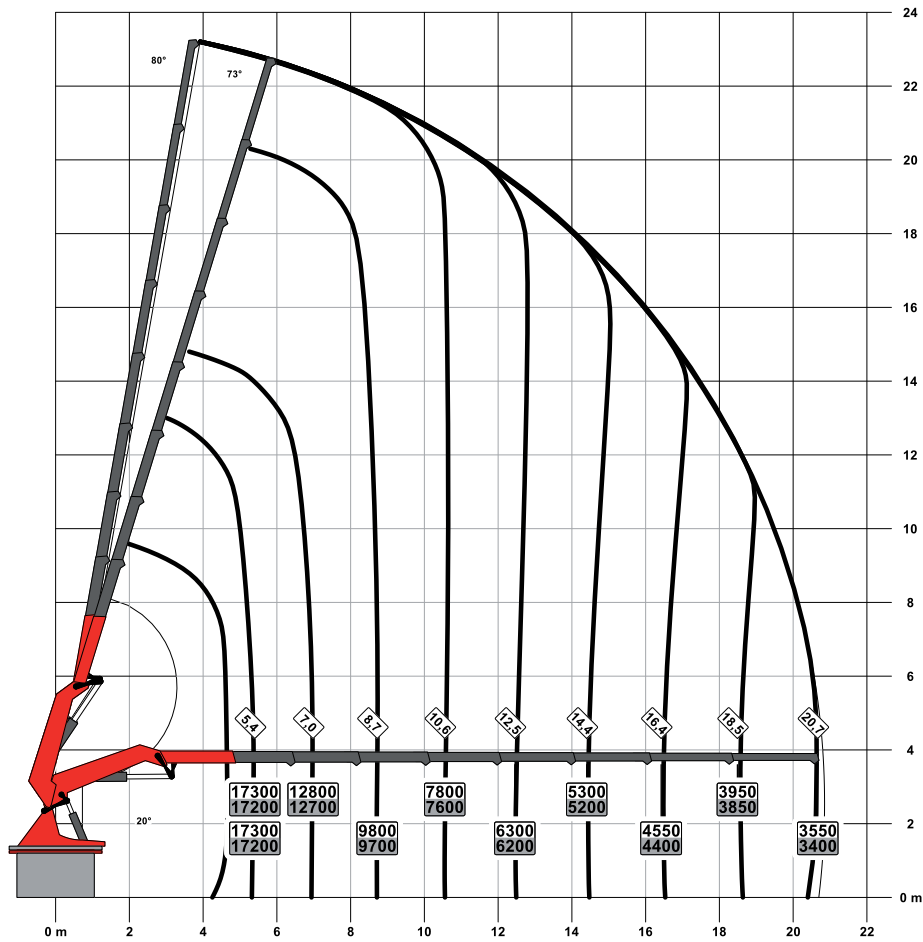
PCC71.002

F PCJ125 E DPS-C



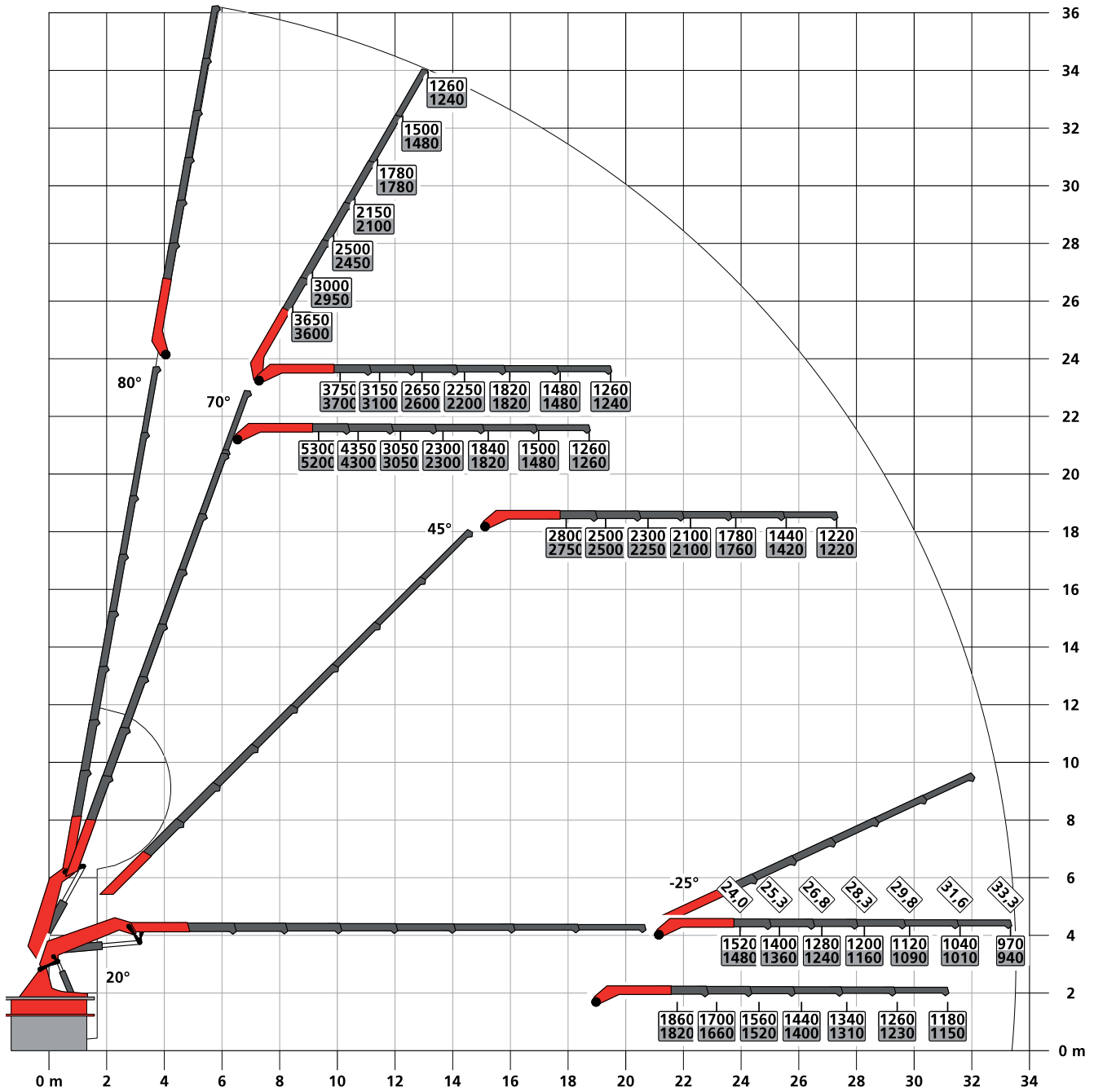
LOAD CHARTS

G



- Machine Category HC1 HD5/S1 EN12999 – CE
- Various boom and jib configurations available upon request
- 360 degrees stability continuously monitored and protected
- Pick&Carry possible within limited working range and reduced duties

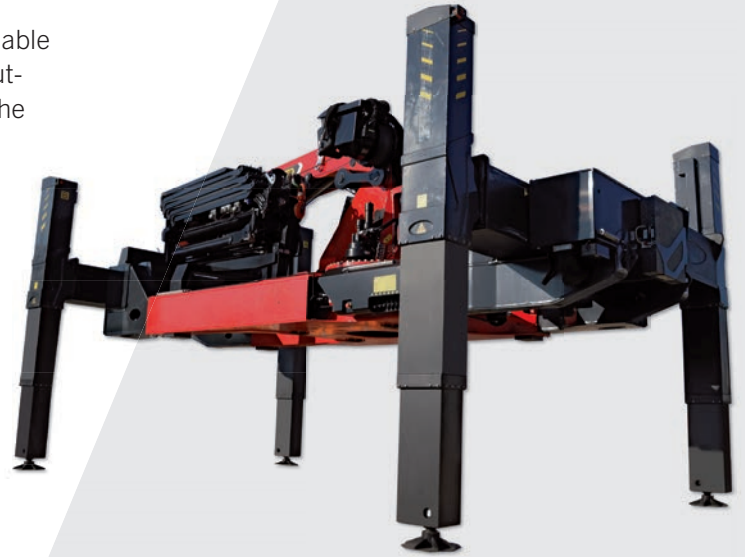
G PJC170 E DPS-C



360° STABILITY

Decades of experience and expertise in electronic engineering enable PALFINGER to combine the various positions of the heavy-duty outrigger system with the detachable counterweight in real time for the most challenging lifting tasks.

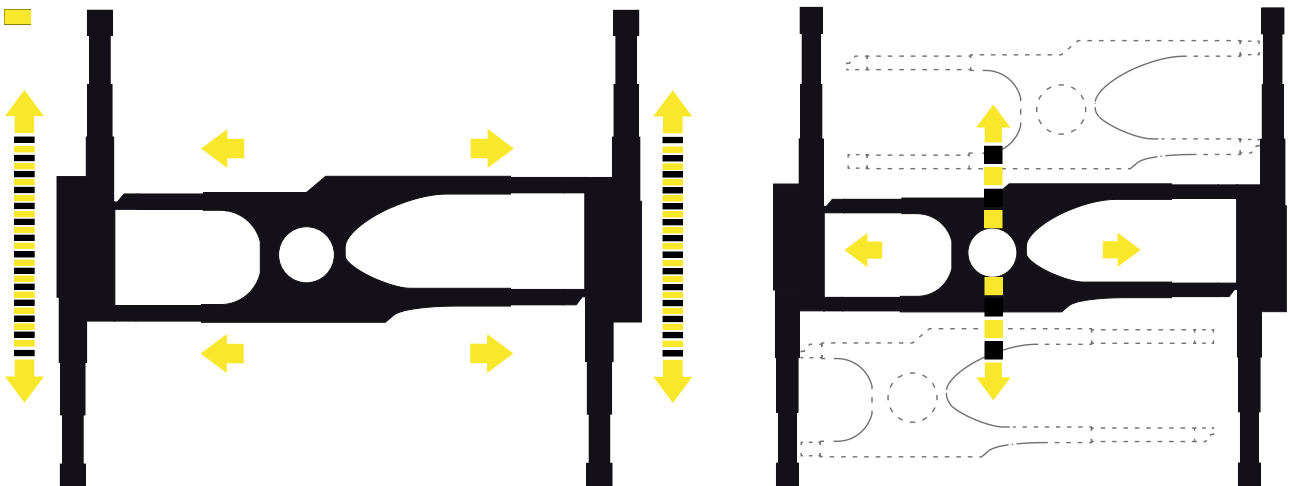
It ensures 360° stability. Even with partly retracted outriggers, virtually full lifting capacity is attained when using the hydraulic detachable counterweight.



Heavy-duty all-terrain stabilizers

By choosing the perfect position of the crane within its outrigger setup, practically any position can be reached with lifting capacities that go far beyond other solutions.

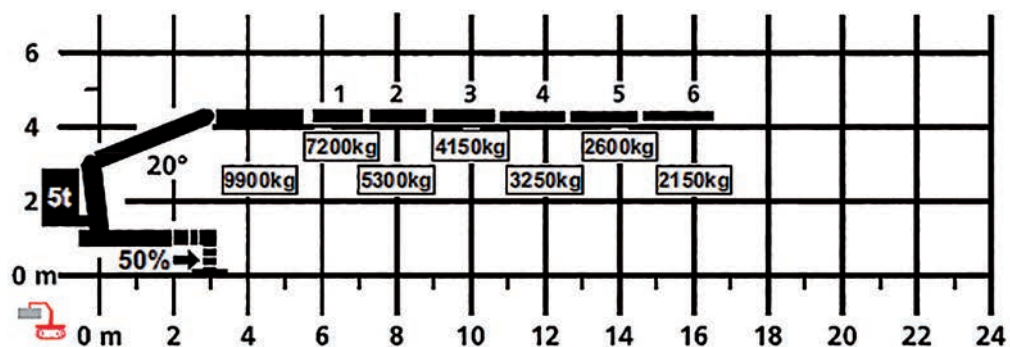
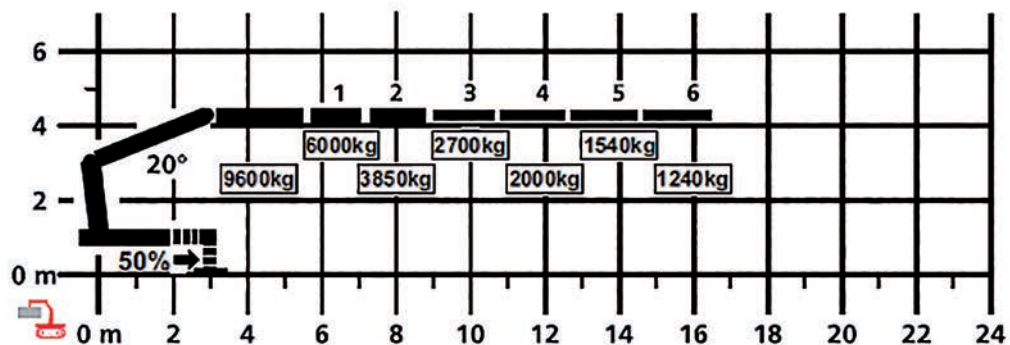
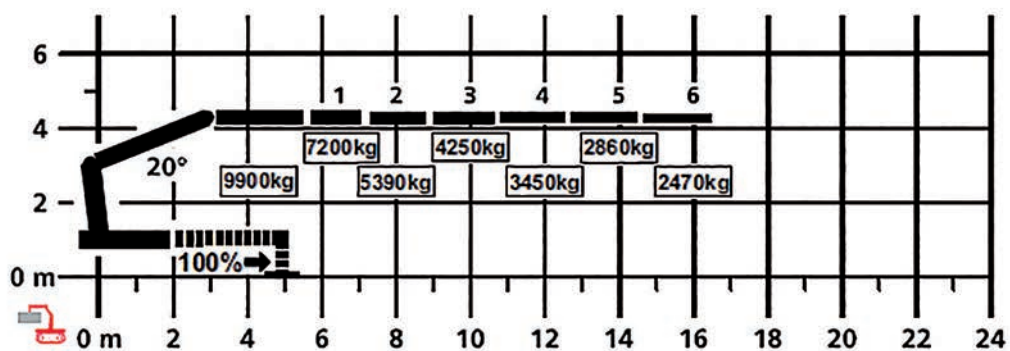
- Shifting left– right, forward–backward to move the crane closer to the job.



DETACHABLE COUNTERWEIGHT

Detachable counterweight to increase the lifting capacity with partly retracted outriggers to 100%.

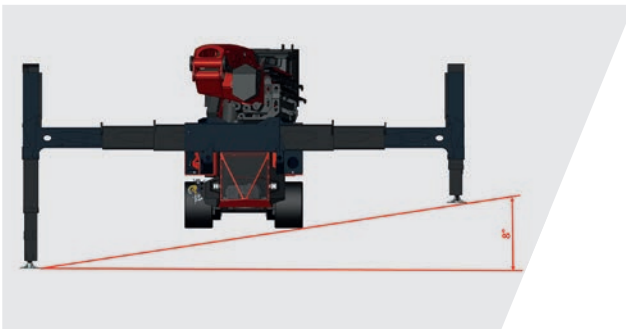
Lifting capacities can be increased by attaching the counterweight: the crane will act as if its outriggers were fully extended.



DEMOUNTING & SHIFTING

Demounting is the ability to separate the Crawler Power Unit from the Crane Module. The crane module and the crawler power unit can operate independently as long as they are connected with a hydraulic/electric powerline. An optional power pack or a truck can take over the power unit function of the crawler.

Shifting is the ability of the crane module with or without crawler tractor to move longitudinally and sideways: it can literally walk. Demounting the crawler power unit significantly reduces the crane module height allowing it to pass through low entrances. The machine can also move into corners and over obstacles which even with crawlers would be impossible. (PCC57.002 - 2.1 m, PCC71.002 – 2.5 m, PCC115.002 – 2.6 m)



Heavy-duty all-terrain stabilizers

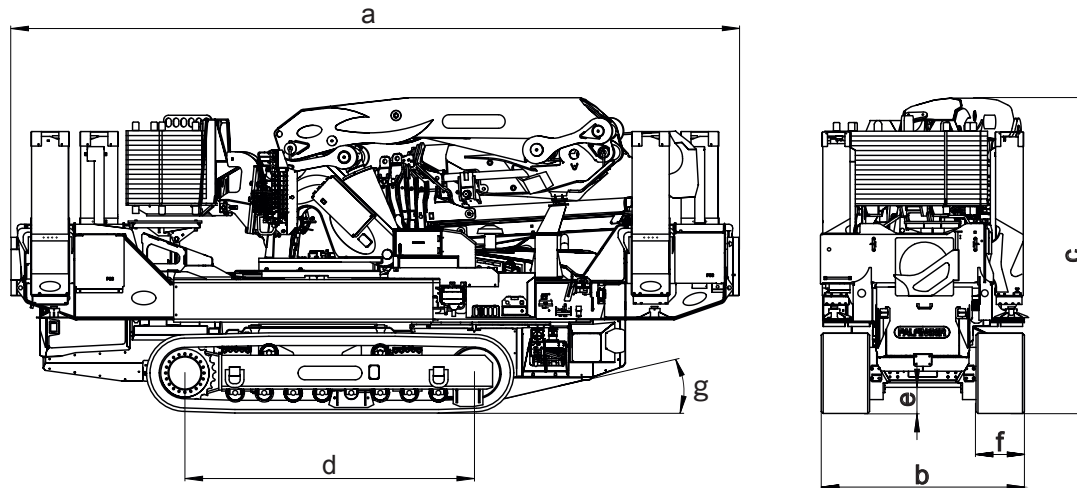
- Heavy-duty outriggers with auto-leveling function
- Convenient control of the stabilizers by means of radio remote control
- Simple stabilization of the unit through single-lever operation – unit is automatically stabilised and levelled out



Optimum indoor application

SIPP (secondary integrated power pack) with 400V, 32A electric drive enables emission- and noise-free operation on site.

TECHNICAL SPECIFICATIONS



PCC57.002

PCC71.002

PCC115.002

	PCC57.002	PCC71.002	PCC115.002
a Length [mm]	5.880	7.531	7.530
b Width [mm]	1.900	2.100	2.100
c Height [mm]	2.420 (3.280 with jib)	3.240 (3.634 with jib)	3.260 (3.660 with jib)
d Wheelbase [mm]	2.515	3.000	3.000
e Ground clearance [mm]	200	275	275
f Shoe width [mm]	400	500	500
g Approach angle	17°	17°	17°
Length extended [mm]	7.547	9.007	9.007
Width extended [mm]	7.140	7.880	7.880
Max. lifting moment [tm]	52,7	67,8	104,4
Max. rated capacity [kg]	17.900	19.100	30.000
Weight crane module [kg]	12.235	20.470	21.420
Weight Crawler module [kg]	7.000	10.000	10.000
Weight CW [kg]	5.500	5.500	8.500
Weight Jib [kg]	1.285	1.285	1.780
Engine	CAT3.6 75 kW / 400 V, 32 A	CAT4.4 110 kW/400 V, 32 A	CAT4.4 110 kW/400 V, 32 A
Travel speed [kmh]	0-5	0-5	0-5
Max. gradient [%]	60	60	60
Max. crawler pull [kg]	10.000	10.000	10.000

ENHANCED FUNCTIONALITY



Heavy-duty H-frame

Fully guided high-tensile steel outriggers for excellent positioning between obstacles. Automated control functions.



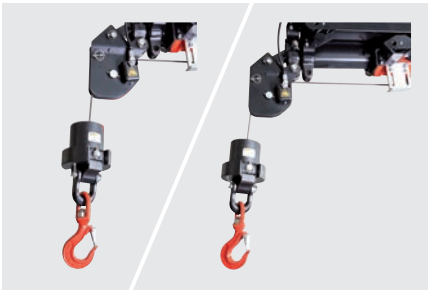
P-fold

Automated folding function increases speed and eliminates damage.



RTC (rope tension control)

Keeps the lifting cable under tension when operating and folding winch and jib.



SRC (synchronized rope control) on optional winch

Automatically maintains load height when extending or retracting boom and jib. Increases safety and enhances comfort.



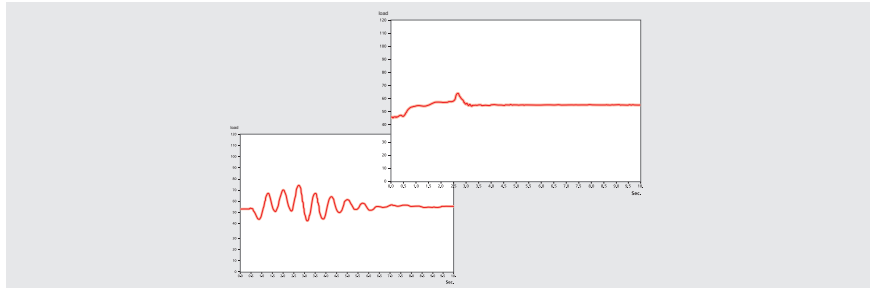
Paltronic P150 with PALcom P7 and P3 remote controls

The proven PALFINGER electronic heart, real-time processing of thousands of parameters to assure safety, maximum lifting performance and easy control. The PALcom P7 remote with excellent haptics and visuals for the crane. The separate P3 to operate the power crawler unit.



Pick & carry

Greater operational flexibility through safe movement of loads and workman basket.



AOS (active oscillation suppression)

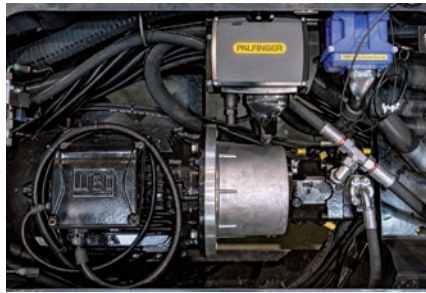
Eliminates physical swinging in the boom by active hydraulic suppression. Increases safety and enhances comfort.

VALUE OPTIONS



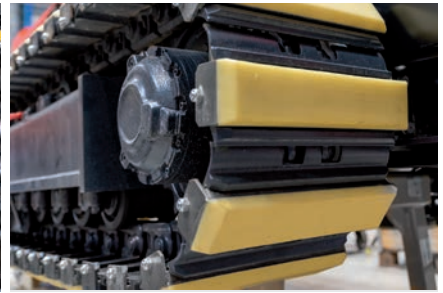
Removable counterweight

Decide job-to-job whether the counterweight is necessary.
Optimize the machine weight for more efficient transport.



SIPP (secondary integrated power pack)

A heavy-duty electric powerline to drive the hydraulic system with full power and nearly full speed with a 400V 15kW electric motor, free of emissions, noise and vibration.



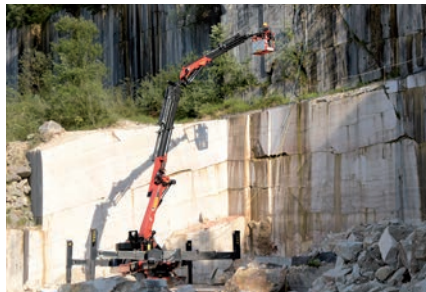
Non-marking PU shoe pads

Highly resistant PU pads can be easily mounted and demounted when switching between indoors and outdoors.



Hydraulic Winch

Available with 2,5t or 3,5t single line pull, 2-part reeving with jib or 4-part reeving in main boom configuration.



Man basket

Automatically stabilizing man basket, in single or two-person version.



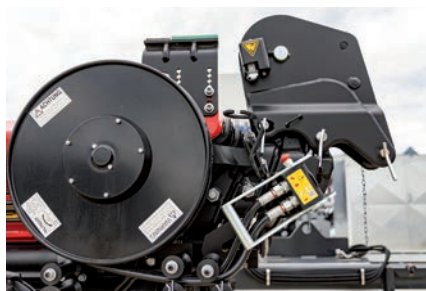
Track extension

Wider shoe plates for the toughest working conditions. They also increase the ground clearance.



Side-loading forks

Mechanically connected forks allow the PCC to transport long pieces of up to 4.000 kg / 8.000 lbs.



Special hydraulic features

Optional high-performance hydraulic functions take auxiliary tools to the boom or jib end.



Power pack

Based on a 400V electric motor (32A or 64A) it has its own hydraulic tank and is seamlessly integrated in the crane hydraulics and electronics.

EXPLORE THE HIGHLIGHTS WITH THE PALFINGER XR-APP



Download the "PALFINGER XR" app

1. Open „PALFINGER XR“ App & click "Scan Marker"
2. Scan a play button on this page to play videos



SCAN ↓



SLEWING AND STABILITY



ADDITIONAL FORKS FOR TRANSPORT



LOADING & UNLOADING



PICK & CARRY / CARRY WITH LOAD



CONTAINER SHIFTING



WORKMAN BASKETS

PALFINGER CRAWLER CRANE SERVICE AND TRAINING

We take the lead in innovation and will support you during the entire product life cycle.

At PALFINGER Crawler Crane, service and customer focus are a top priority. With our service support points around the world, we are always close by. Rapid, professional and straightforward support for technical questions is routine for us. We think and act in a way that is customer-oriented, flexible and efficient. Our highly qualified technicians with many years of experience handle every service call with motivation and enthusiasm and make dealing with your concerns their own personal mission.

The PALFINGER Crawler Crane service team is with you from the beginning. At the handover in our factory, you receive comprehensive initial training from our Training department. Our technicians are happy to assist you with your first jobs on site, so that you can gain confidence and become independent in handling the equipment as well as achieve your desired goals as efficiently as possible.

All repairs, services, annual inspections and training courses are carried out and coordinated by our Service and Training team.

crawlercrane@PALFINGER.com





THE COMPANY

PALFINGER

Established in 1932 and headquartered in Bergheim (Austria) the company has for many years been among the leading international manufacturers of innovative, reliable and efficient hydraulic lifting systems in the line of commercial vehicles and in the maritime field.

PALFINGER is the global market leader for loader cranes, timber and recycling cranes, marine cranes, wind cranes, hooklifts and railway systems. The acquisition of the globally operating Harding Group in 2016 also made PALFINGER the world's market leader in maritime lifesaving equipment. Moreover, the Company is a leading specialist in tail lifts and truck mounted forklifts. PALFINGER is committed to providing the best service in the industry.

PALFINGER has manufacturing and assembly sites in Europe, in CIS, in North and South America and Asia as well as over 5,000 sales and service centers located in over 130 countries across five continents.

With its 11,000 employees, PALFINGER has generated total sales of approx. EUR 1,616 million in 2018.

The three strategic pillars – innovation, internationalization and flexibility – have facilitated the global, profitable growth of the PALFINGER Group in previous years and will be consistently pursued in the future as well.

To allow for a prioritization of the challenges and opportunities of digital transformation, this time-tested strategy has been supplemented by a fourth pillar: PALFINGER 21st stands for new core competences, new approaches, new products, services and business models in the digital age.

PALFINGER's employees and the shared values of respect, learning and entrepreneurship are central elements in the implementation of this vision. PALFINGER will put its customers at the heart of all endeavors, even more so than in the past. Together with them, PALFINGER will continue to identify new requirements and develop efficient solutions.

TOGETHER WE ARE SHAPING THE FUTURE OF OUR CUSTOMERS' LIFTING SOLUTIONS.

WHAT YOU NEED.
WHAT WE OFFER.

